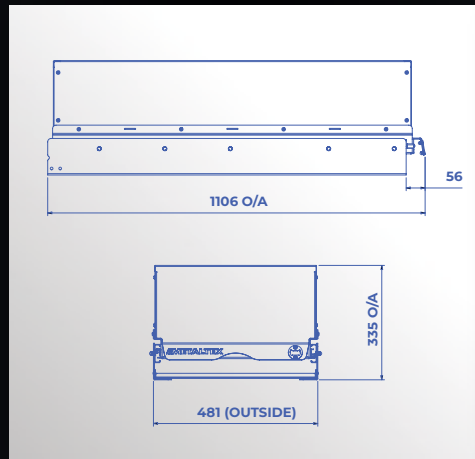
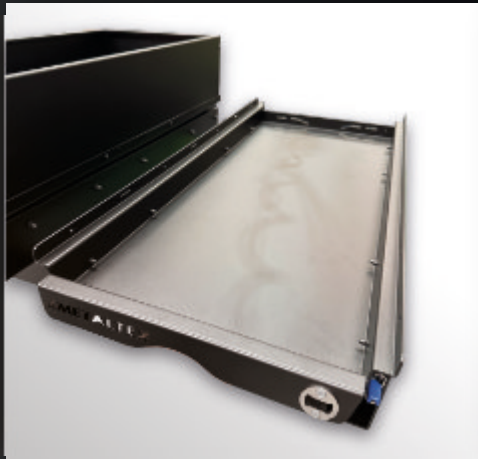


Modular Tray

- ✓ Aluminium construction.
- ✓ Stainless steel bottle opener.
- ✓ Tie down points rear & side.
- ✓ Ergonomic handle.
- ✓ Black zinc plated hardware.
- ✓ The trays z profile side increases storage strength and increases capacity.
- ✓ Rear chassis brace added to keep slides parallel and aid fitment.
- ✓ Powder coated in a durable Texture powder.
- ✓ 125kg lockable draw slides.

Storage extension kit

- ✓ Black zinc plated hardware.
- ✓ Large storage volume.
- ✓ Sides are a universal fit as all holes are symmetrical. This eliminates confusion identifying what panel goes where.
- ✓ No fixings in front face (Totally clean).
- ✓ Additional folds on the extension kit give added strength.
- ✓ Aluminium construction.
- ✓ Powder coated in a durable Texture powder.



Australian Made

WWW.METALTEX.COM.AU

